

TKS || SECURITY

Access Control | Intrusion | Fire | Intercom | Monitoring | Wireless | Video
 www.gotks.com (888) 595-1115 info@gotks.com

WOLVERINE POWER - DORR

ACCESS CONTROL AND SECURITY PROJECT

SYMBOL LEGEND		
SYMBOL / DESCRIPTION	NOTES	
	ELECTRIC STRIKE	By Others
	KEYPAD/PROX READER	921PTNNEK0001V
	REX MOTION DETECTOR	DS150I REQUEST TO EXIT PIR
	DOOR CONTACT	1078N
	ACCESS CONTROL PANEL	Kantech KT-400
	NETWORK CONTROLLER	KAN KT-NCC
	INTERCOM	E-30-EWP
	PUSH BUTTON	
	POE SWITCH- BY OTHERS	
	NVR	
	CCTV POWER SUPPLY	
	FIXED CAMERA	
	PTZ CAMERA	
	LOW VOLTAGE DROP	
	WIRELESS ACCESS PONT	
	TV "DISH"	
	TV "PROJECTION"	

CABLE LEGEND - PLENUM				
TYPE	DESCRIPTION/1000'	ANIXTER PART#	CABLE OD	COLOR CHART
A	SECURITY RG6U 18AWG COAX, CMP JACKET COLOR - GREEN/WHITE STRIPE	S- RG6U-18-CMP	0.228"	N/A
B	SECURITY 18AWG, STR, 2COND, OAS, CMP JACKET COLOR - GREEN/WHITE STRIPE	S- 2CS18	0.163"	1
C	SECURITY 22AWG, STR, 1TSP, CMP JACKET COLOR - GREEN/WHITE STRIPE	S- 1TSP22-CMP	0.124"	3
D	SECURITY RG59U 20AWG COAX, CMP JACKET COLOR - GREEN/WHITE STRIPE	S- RG59U-20-CMP	0.193"	N/A
E	SECURITY 20AWG, STR, 2COND, OAS, CMP JACKET COLOR - GREEN/WHITE STRIPE	S- 2CS20-CMP	0.145"	1
F	SECURITY 22AWG, STR, 2TSP, CMP JACKET COLOR - GREEN/WHITE STRIPE	S- 2TSP22-CMP	0.210"	3
G	SECURITY 16AWG, STR, 2COND, OAS, CMP JACKET COLOR - GREEN/WHITE STRIPE	S- 2CS16-CMP	0.190"	1
H	SECURITY 2-18/1-20AWG, STR, TSP, CMP JACKET COLOR - GREEN/WHITE STRIPE	S2PSA8/1PS20CMP	0.310"	3
J	SECURITY 20AWG, STR, 6COND, OAS, CMP JACKET COLOR - GREEN/WHITE STRIPE	S- 6CS20-CMP	0.190"	1
K	SECURITY WESTINGHOUSE-RG6U 18 AWG COAX, CMP JACKET COLOR - GREEN/WHITE STRIPE	S- W- RG6U-18-CMP	0.233"	N/A
L	SECURITY 24AWG, SOL, 4P, CAT6, CMP JACKET COLOR -	S- 4P24CAT6-CMP	0.200"	5
M	SECURITY 14AWG, STR, 2COND, OAS, CL3P JACKET COLOR - GREEN/WHITE STRIPE	S- 2CS14-CL3P	0.229"	1
N	SECURITY 18AWG, STR, 2TSP, CMP JACKET COLOR - GREEN/WHITE STRIPE	S- 2TSP18-CMP	0.188"	3
P	SECURITY 22AWG, STR, 8COND, OAS, CMP JACKET COLOR - GREEN/WHITE STRIPE	S- 8CS22-CMP	0.176"	1
DC DUAL CONTROL CABLE	MULTI-CONDUCTOR ACCESS CONTROL CABLE 1 (N) - SECURITY 18AWG-4COND, OAS, STR 1 (C) - SECURITY 22AWG-2COND, OAS, STR 1 (F) - SECURITY 22AWG-4COND, OAS, STR 1 (J) - SECURITY 22AWG-3TSP, STR OVERALL JACKET IS PLENUM RATED	ACCESSJKTPLEN	0.435"	N/A

CABLE ABBREVIATIONS
AWG- AMERICAN WIRE GAUGE
CL3P- CLASS 3 PLENUM
CL3R- CLASS 3 RISER
CM- COMM. GENERAL PURPOSE
CMP- COM. PLENUM
CMR- COMM. RISER
COND OR C- CONDUCTOR
OAS- OVERALL SHEILD
OD- OUTSIDE DIAMETER
P- PAIR
SOL- SOLID WIRE
STR- STRANDED WIRE
TSP- TWISTED SHIELDED PAIR

NOTES:

1. THE WIRE COLORS IDENTIFIED IN THIS PACKAGE ARE BASED ON ANIXTER CABLE COLOR CODES. WIRE COLORS MAY VARY IF OTHER TYPES OR OTHER MANUFACTURERS ARE USED.
2. REFER TO NEC ARTICLE 725 AND 800 FOR CABLE USES AND PERMITTED SUBSTITUTIONS
3. THE RISER DRAWINGS ARE DRAWN DIAGRAMATICALLY. EXACT ROUTING OF CONDUIT AND LOCATION OF BOXES IS DECIDED BY THE ELECTRICAL CONTRACTOR AND FIELD CONDITIONS.
4. ALL 120VAC POWER CIRCUITS SHOWN ARE PROVIDED BY THE E.C.
5. SECURITY NETWORK EQUIPMENT, RACKS AND IP INFRASTRUCTURE IS PROVIDED BY OTHERS

SECURITY SYSTEM ABBREVIATIONS	
AFF	ABOVE FINISHED FLOOR
AFC	ABOVE FINISHED CEILING
ASC	AUDIO SYSTEMS CONSTRUCTOR
AVSC	AUDIO-VISUAL SYSTEMS CONTRACTOR
BCF	BELOW FINISHED CEILING
C	CONDUIT
C.O.	CONDUIT ONLY
CATV	COMMUNITY ANTENNA TV
CCT.	CIRCUIT
CCTV	CLOSED CIRCUIT TV
CONTD	CONTINUED
CWG	COLD WATER GROUND
DWG	DRAWING
E.	EAST
EC	ELECTRICAL CONTRACTOR
EL	ELEVATION
EXT.	EXTERNAL
FBEC	FURNISHED BY ELECTRICAL CONTRACTOR
FBGC	FURNISHED BY GENERAL CONTRACTOR
FBO	FURNISHED BY OTHERS
FT	FOOT OR FEET
GC	GENERAL CONTRACTOR
GND	GROUND
HT	HEIGHT
IC	INTERCOM
IR	INFRARED
JB	JUNCTION BOX
LPS	LOCK POWER SUPPLY
MATV	MASTER ANTENNA TV
MAX.	MAXIMUM
MIN.	MINIMUM
N.	NORTH
NC	NORMALLY CLOSED
NEC	NATIONAL ELECTRICAL CODE
NIC	NOT IN CONTRACT
NO	NORMALLY OPEN
PCB	PRINTED CIRCUIT BOARD
PE	PHOTO ELECTRIC
PIR	PASSIVE INFRARED (DETECTOR)
PS	POWER SUPPLY
PTZ	PAN, TILT, ZOOM
RF	RADIO FREQUENCY
S.	SOUTH
SSC	SECURITY SYSTEMS CONTRACTOR
TV	TELEVISION
TVSC	TELEVISION SYSTEMS CONTRACTOR
TYP	TYPICAL
UGC	UNDERGROUND CONDUIT
UON	UNLESS OTHERWISE NOTED
W.	WEST
W/	WITH
W/O	WITHOUT
W.P.	WATERPROOF

NETWORK AND CABLE

— CABLE- SHOW FOR ROUTING PURPOSES ONLY, FIELD VERIFY EXACT PATH AND REFER TO RISER DIAGRAM FOR WIRING REQUIREMENTS.

COLOR CHART 1		COLOR CHART 2		COLOR CHART 3		COLOR CHART 4	
COND.	COLOR	COND.	COLOR	COND.	COLOR	COND.	COLOR
1	BLK			1	BLK/RED - RED		
2	RED			2	BLK/WHT - WHT		
3	WHT			3	BLK/GRN - GRN		
4	GRN						
5	BRN						
6	BLU						
7	ORG						
8	YEL						

COLOR CHART 5		COLOR CHART 6		COLOR CHART 7		COLOR CHART 8	
COND.	COLOR	COND.	COLOR	COND.	COLOR	COND.	COLOR
1	WHT/BLU - BLU						
2	WHT/ORG - ORG						
3	WHT/GRN - GRN						
4	WHT/BRN - BRN						

General Notes

No.	Revision/Issue	Date

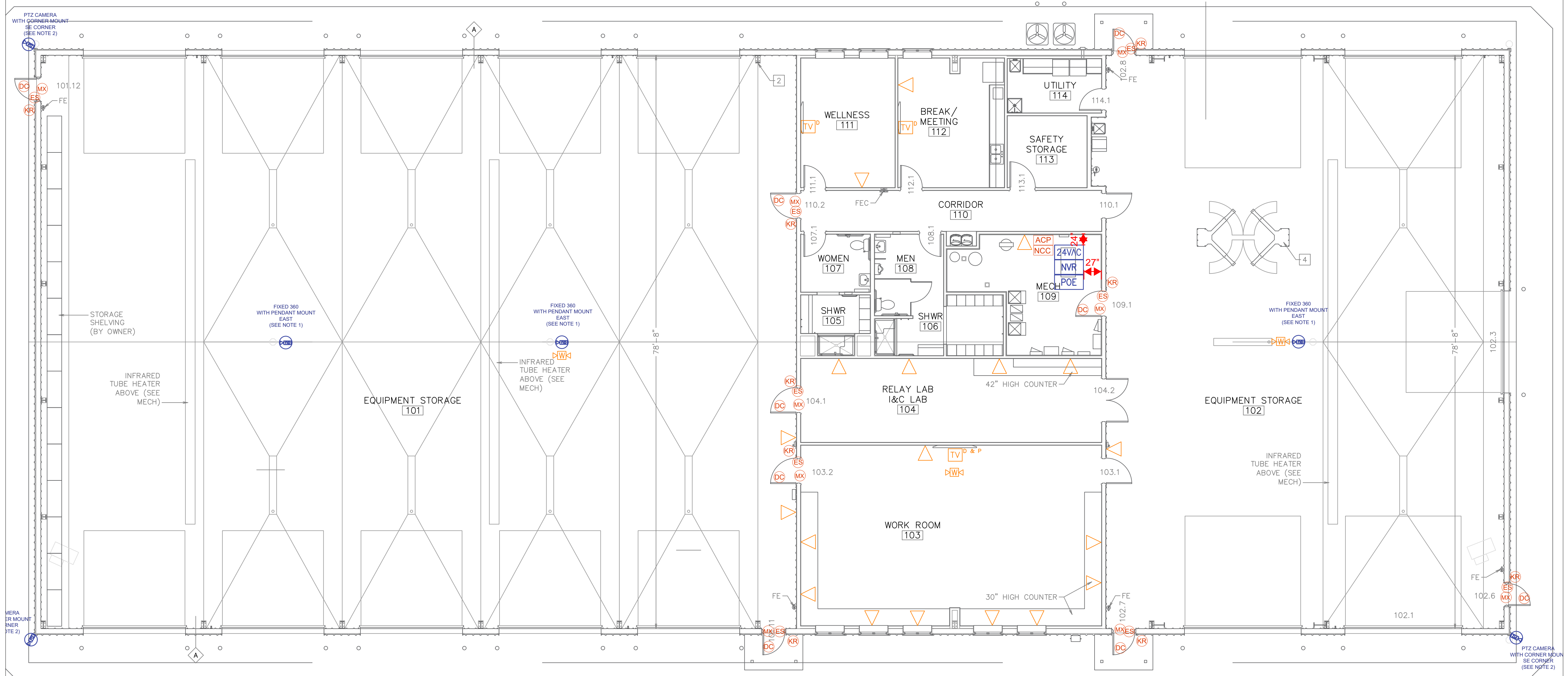
TKS || SECURITY
 www.gotks.com
 (888) 595-1115

TRAVERSE CITY - GRAND RAPIDS - DETROIT
 Admin: 19771 23 Mile Rd - Hersey, MI 48639
 North: 967 E. Commerce Dr. #2 - Traverse City, MI 49686
 Southern Michigan: 7034 12th Ave - Jenison, MI 49428

State of MI Burglar Alarm License#: 3601206063
 State of MI Fire Alarm License #: 5103347
 State of MI Bureau of Fire Services (BFS) Cert. #: A-1158

Project Name and Address
WOLVERINE POWER DORR

Project	Sheet
Date	00
1/30/2017	
Scale	as noted



PHYSICAL SECURITY/DATA DROP PLAN
 WOLVERINE POWER - DORR, MI

NOTES:

1. SONY MODEL NO. SNC-HM662 FIXED 360° CAMARA WITH PENDANT MOUNT MODEL NO. UNI-MDPHM. INSTALL CAMERA 6"-12" BELOW LIGHT FIXTURES NEAR THE CENTER OF THE EQUIPMENT STORAGE AREA. ENSURE THAT THERE IS A MINIMUM DISTANCE OF 2 FEET FROM THE CAMERA AND THE NEAREST LIGHT FIXTURE. FIELD VERIFY SITE CONDITIONS FOR EXACT LOCATION AND MOUNTING CONFIGURATION.
2. SONY MODEL NO. UNI-ONEP580C2 WITH WALL MOUNT BRACKET MODEL NO. UNI-WMB3, WALL MOUNT ADAPTER MODEL NO. UNI-WMBB1 AND CORNER MOUNT MODEL NO. UNI-CMA1. INSTALL CAMERA BELOW SOFFIT DRIP EDGE. 24VAC REQUIRED FOR OUTDOOR ENVIROMENTAL HOUSING.

General Notes

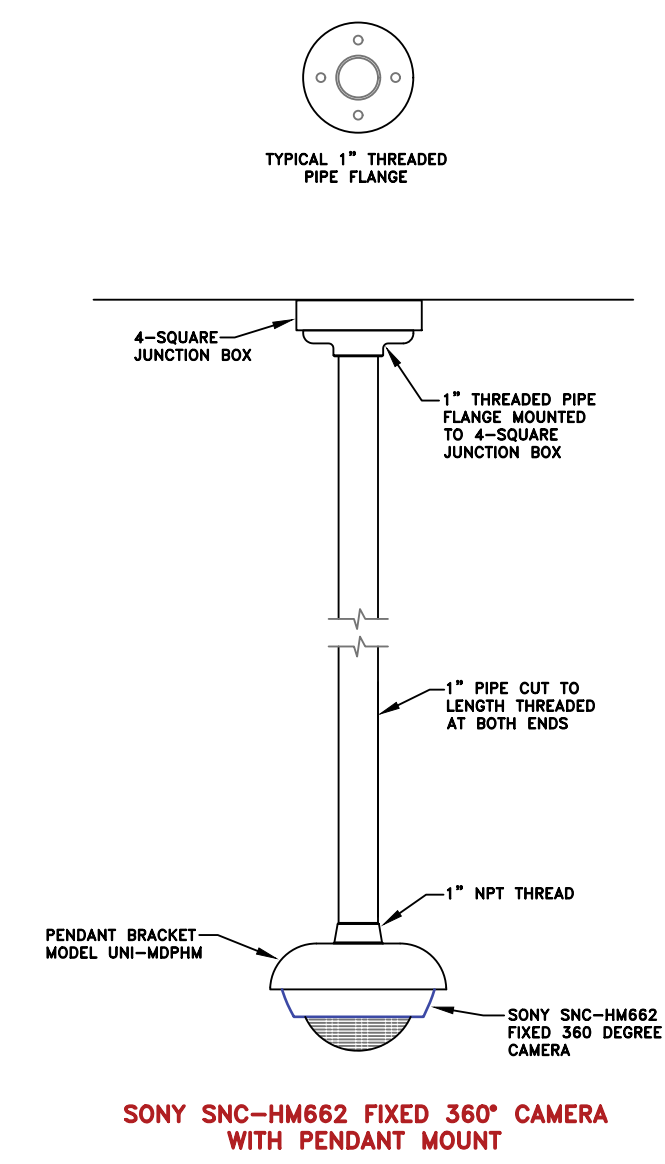
No.	Revision/Issue	Date

TKS || SECURITY

www.gotks.com
 (888) 595-1115
 TRAVERSE CITY - GRAND RAPIDS - DETROIT
 Admin: 13771 23 Mile Rd - Hersey, MI 48639
 North: 967 E. Commerce Dr. #2 - Traverse City, MI 49686
 Southern Michigan: 7034 12th Ave - Jenson, MI 49428
 State of MI Burglar Alarm License#: 3601296963
 State of MI Fire Alarm License #: 5103347
 State of MI Bureau of Fire Services (BFS) Cert. #: A-1158

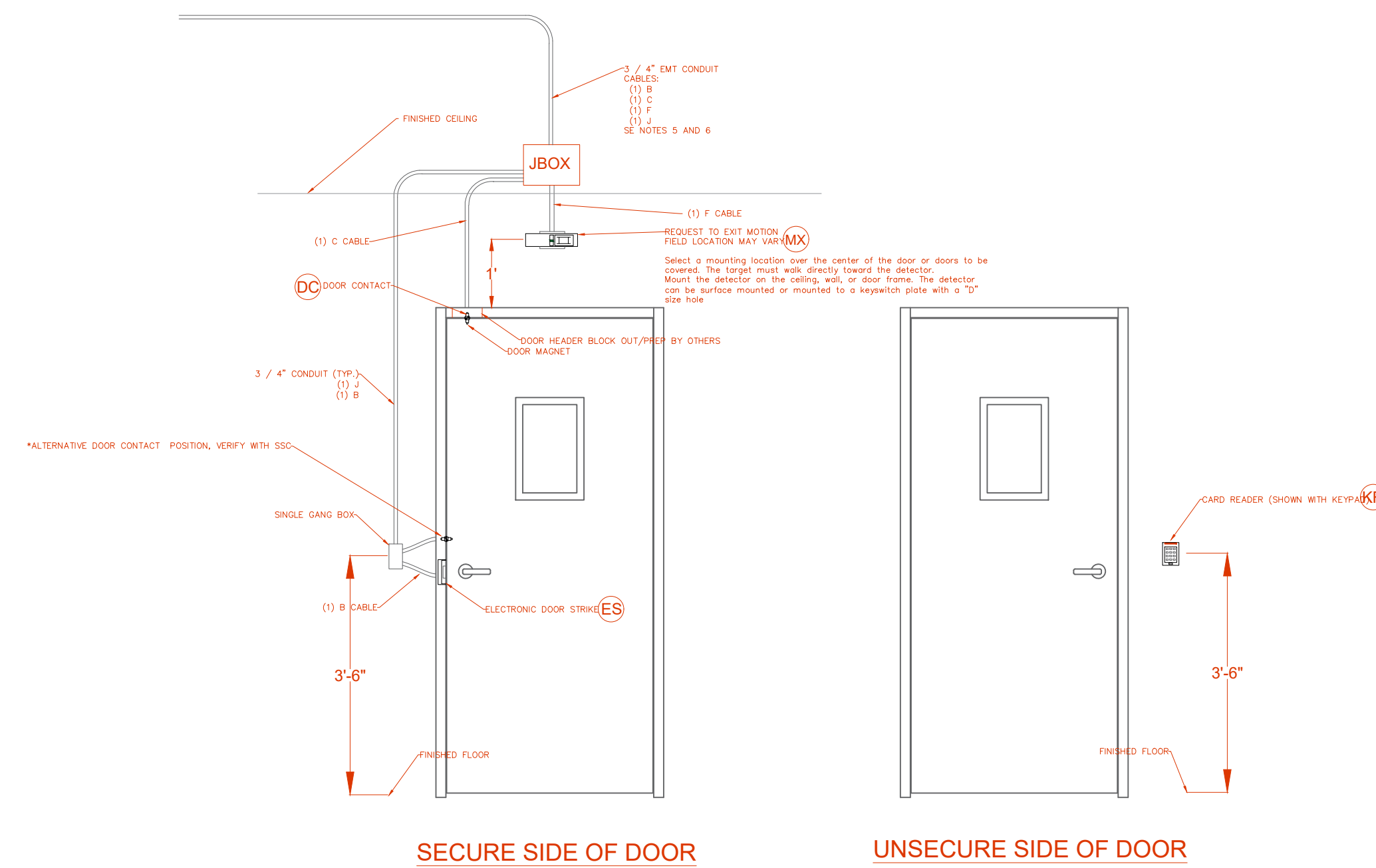
Project Name and Address
 WOLVERINE POWER DORR

Project	Sheet
Date 1/30/2017	01
Scale as noted	



TYPICALS – CCTV

WOLVERINE POWER - DORR, MI



INSTALLATION NOTES:

1. MOUNT JUNCTION BOX ABOVE THE ACCESSIBLE CEILING, WHERE APPLICABLE, ON THE SECURE SIDE OF THE DOOR
2. PROVIDE A SINGLE GANG ELECTRICAL BOX (HORIZONTALLY MOUNTED) FOR THE REX MOTION (MX), MOUNTED ABOVE THE DOOR. (UNLESS MOUNTED TO THE DOOR FRAME OR OTHER AS THE FIELD REQUIRES.
3. PROVIDE A SINGLE GANG ELECTRICAL BOX FOR THE CARD READER MOUNTED ON THE UNSECURE SIDE OF THE DOOR. PROVIDE A CONDUIT STUB TO THE DOOR FRAME FOR THE ELECTRONIC STRIKE.
4. BY OTHERS- ALL CONDUIT SHOULD BE 3 / 4" UNLESS SPECIFIED OTHERWISE. ALL CONDUIT SHOULD BE INSTALLED INSIDE THE WALL, UNLESS OTHERWISE NOTED. ALL CONDUIT SHALL BE FURNISHED WITH A PULL STRING FOR FUTURE USE.

TYPICALS – ACCESS CONTROL

WOLVERINE POWER - DORR, MI

General Notes

No.	Revision/Issue	Date

TKS || SECURITY

www.gotks.com
(888) 595-1115

TRAVERSE CITY - GRAND RAPIDS - DETROIT
Admin: 13775 23 Mile Rd - Hersey, MI 48639
North: 967 E. Commerce Dr. #2 - Traverse City, MI 49686
Southern Michigan: 7024 12th Ave - Jenison, MI 49428

State of MI Burglar Alarm License#: 360126063
State of MI Fire Alarm License #: 5103347
State of MI Bureau of Fire Services (BFS) Cert. #: A-1158

Project Name and Address

WOLVERINE POWER DORR

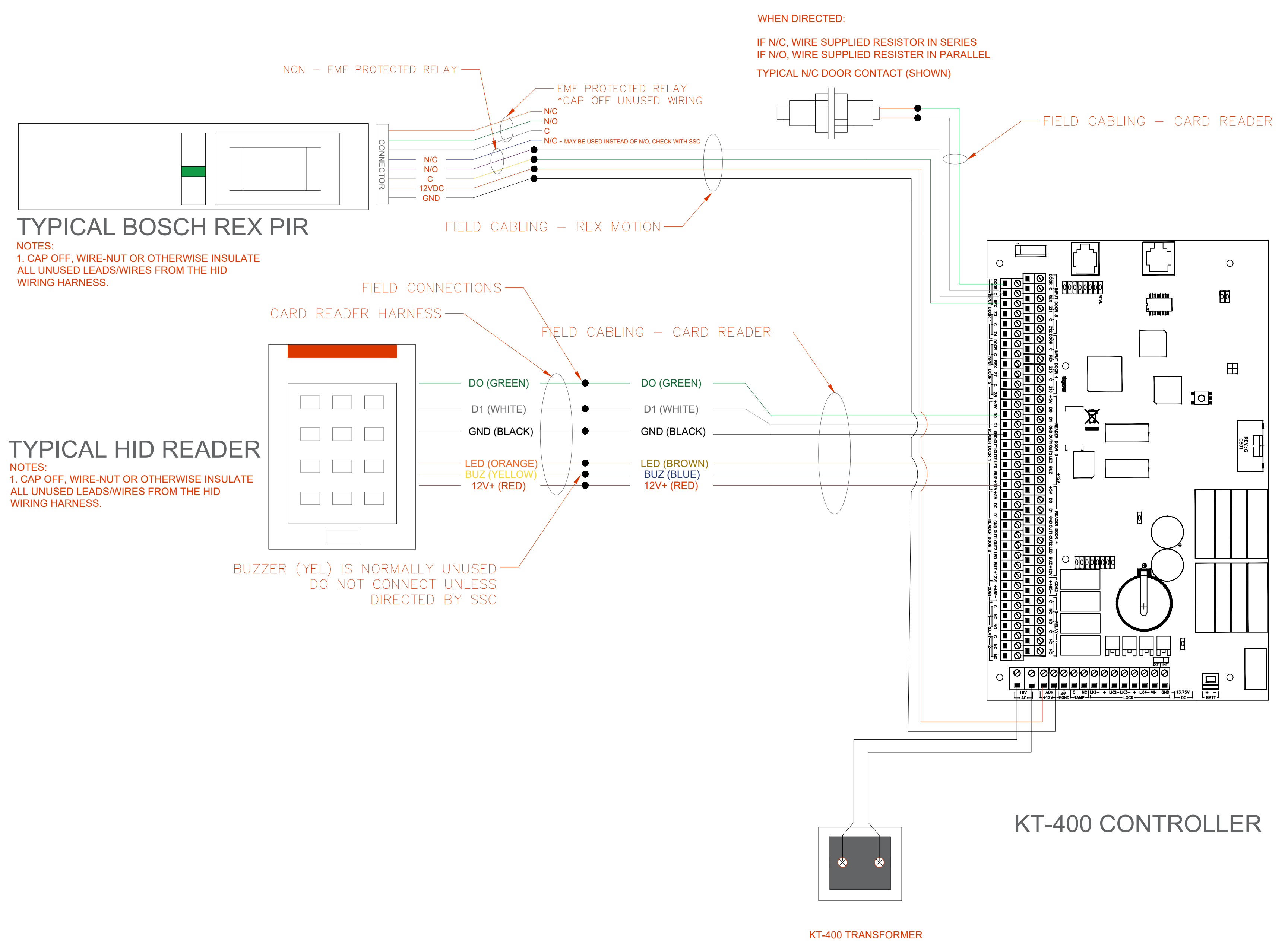
Project

Date
1/30/2017

Scale
as noted

Sheet

02



TYPICAL BOSCH REX PIR
NOTES:
1. CAP OFF, WIRE-NUT OR OTHERWISE INSULATE ALL UNUSED LEADS/WIRES FROM THE HID WIRING HARNESS.

TYPICAL HID READER
NOTES:
1. CAP OFF, WIRE-NUT OR OTHERWISE INSULATE ALL UNUSED LEADS/WIRES FROM THE HID WIRING HARNESS.

TYPICAL FIELD CONNECTIONS - ACCESS CONTROL
WOLVERINE POWER - DORR, MI

General Notes

No.	Revision/Issue	Date

TKS || SECURITY
www.GOTKS.COM
(888) 595-1115
TRAVERSE CITY - GRAND RAPIDS - DETROIT
Admin: 13771 23 Mile Rd - Hersey, MI 48639
North: 967 E. Commerce Dr. #2 - Traverse City, MI 49686
Southern Michigan: 7034 12th Ave - Jenison, MI 49428
State of MI Burglar Alarm License#: 360129063
State of MI Fire Alarm License #: 9103347
State of MI Bureau of Fire Services (BFS) Cert. #: A-1158

Project Name and Address
WOLVERINE POWER DORR

Project	Sheet
Date 1/30/2017	03
Scale as noted	